



EC541-HD

H81



Fanless



Fan

Features

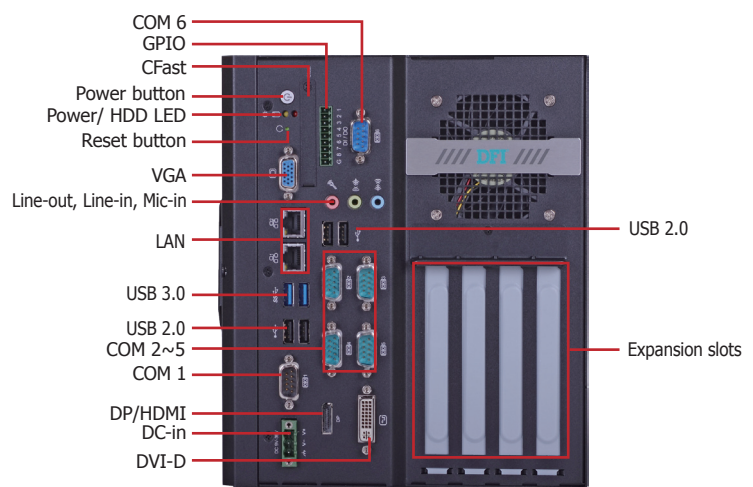
- Supports DDR3 SODIMM up to 16GB
- 2 2.5" SATA drive bays, 1 CFAST socket
- 4 expansion slots



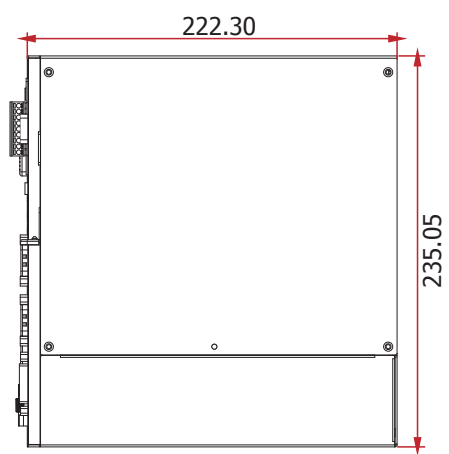
2 Vertical USB ports for securing USB flash drive (optional)



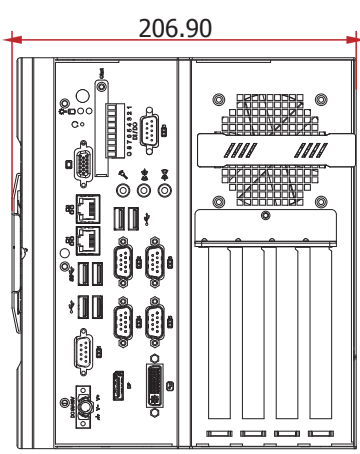
Panel



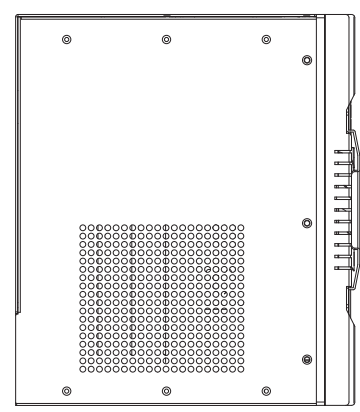
Dimensions



Left View



Front View



Right View

EC541-HD

Specifications * Optional and is not supported in standard model. Please contact your sales representative for more information.

PROCESSOR SYSTEM

- CPU - fanless
 - 4th Generation Intel® Core™ processors (22nm process technology)
 - : Intel® Core™ i7-4770TE (8M Cache, up to 3.3 GHz); 45W
 - : Intel® Core™ i5-4590T (6M Cache, up to 3.0 GHz); 35W
 - : Intel® Core™ i5-4570TE (4M Cache, up to 3.3 GHz); 35W
 - : Intel® Core™ i3-4350T (4M Cache, 3.1 GHz); 35W
 - : Intel® Core™ i3-4340TE (4M Cache, 2.6 GHz); 35W
 - : Intel® Core™ i3-4330TE (4M Cache, 2.4 GHz); 35W
 - : Intel® Pentium® G3320TE (3M Cache, 2.3 GHz); 35W
 - : Intel® Celeron® G1820TE (2M Cache, 2.2 GHz); 35W
- CPU - fan
 - 4th Generation Intel® Core™ processors (22nm process technology)
 - : Intel® Core™ i7-4790S (8M Cache, up to 4.0 GHz); 65W
 - : Intel® Core™ i7-4770S (8M Cache, up to 3.9 GHz); 65W
 - : Intel® Core™ i5-4590S (6M Cache, up to 3.7 GHz); 65W
 - : Intel® Core™ i5-4570S (6M Cache, up to 3.6 GHz); 65W
 - : Intel® Core™ i3-4360 (4M Cache, 3.7 GHz); 54W
 - : Intel® Core™ i3-4330 (4M Cache, 3.5 GHz); 54W
 - : Intel® Pentium® G3420 (3M Cache, 3.2 GHz); 53W
 - : Intel® Celeron® G1820 (2M Cache, 2.7 GHz); 53W
- Chipset: Intel® H81 Express Chipset

MEMORY

- Two 204-pin DDR3 SODIMM sockets
- Supports DDR3 1333/1600MHz
- Supports up to 16GB system memory
- Supports dual channel memory interface

GRAPHICS

- Intel® HD Graphics
- Display ports: DP/HDMI, DVI-D, VGA
- VGA resolution up to 1920x1200 pixels with 24-bit color @ 60Hz
- DVI-D support up to 1920x1200 @ 60Hz
- HDMI 1.4a resolution up to 4096 x 2304 @ 24Hz
- DP 1.2a resolution up to 3200 x 2000 @ 60Hz

STORAGE

- 2 2.5" SATA drive bays
 - SATA 3.0 port with data transfer rate up to 6Gb/s
- 1 CFAST socket
- Supports 1 mSATA module via the mini PCIe socket

ETHERNET

- Intel® I210 PCI Express Gigabit Ethernet controller
- Intel® I217 Gigabit Ethernet Phy
- Integrated 10/100/1000 transceiver
- Fully compliant with IEEE 802.3, IEEE 802.3u, IEEE 802.3ab

AUDIO

- Realtek ALC886 5.1-channel High Definition Audio
- S/PDIF audio interface

EXPANSION

- 1 PCIe x16 slot
- 3 PCI slots
- 1 Mini PCIe slot
 - Supports USB and PCIe signals
 - Supports mSATA or Wi-Fi
 - Supports half size or full size Mini PCIe card

DP/HDMI Port



Auto-detects DP and HDMI display

FRONT PANEL I/O PORTS

- 1 power button with LED
- 1 reset button
- 1 power LED
- 1 HDD LED
- 1 VGA port
- 2 RJ45 LAN ports
- 4 Type A USB 2.0 ports
- 2 Type A USB 3.0 ports
- 6 DB-9 RS232/422/485 serial ports (with power)
- 1 9~36V DC-in 3-pole terminal block
- 1 8-bit DIO 10-pole terminal block
- Mic-in, Line-in, Line-out
- 1 DVI-D port
- 1 DP/HDMI port

POWER

- Power input voltage: 9~36V DC-in

COOLING SYSTEM

- 2 system fan

ENVIRONMENT

- Temperature - fanless
 - Operating: 0°C ~ 45°C
- Temperature - fan
 - Operating: 0°C ~ 55°C (SSD/mSATA/CFast)
 - Operating: 0°C ~ 50°C (HDD)
 - Storage: -20°C ~ 85°C
 - Humidity: 5% ~ 90%
- Operating Vibration
 - MIL-STD-810F 514-5C-1
- Operating Shock
 - Half sine wave 3G, 11ms, 3 shock per axis

CONSTRUCTION

- Aluminum + SGCC

MOUNTING

- Wall mount
 - Mounting brackets and screws*

DIMENSIONS

- 206.90mm x 235.05mm x 222.30mm (W x H x D)

WEIGHT

- 5.3kg

OS SUPPORT

- Windows 7 Embedded, Windows 7, Windows 8, Windows 8 Embedded, Linux Fedora, Linux Kernel

OTHER FEATURES

- Watchdog timeout programmable via software from 1 to 255 seconds

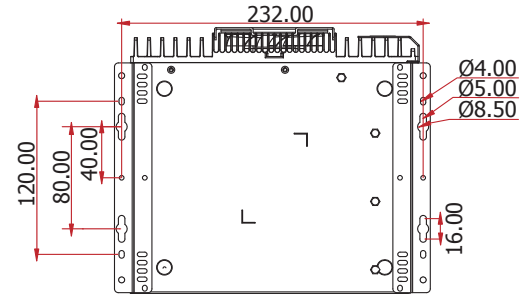
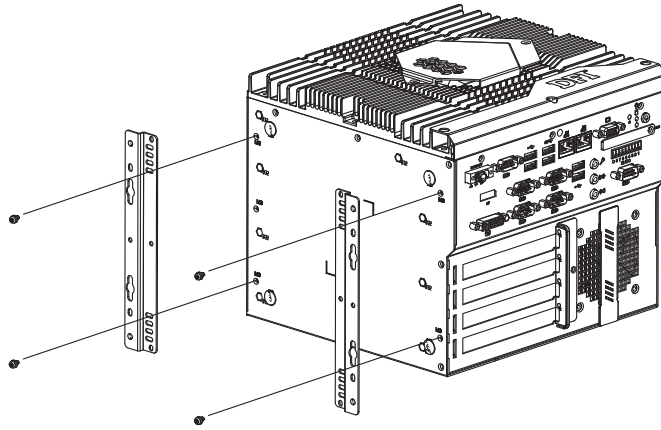
CERTIFICATION

- CE
- FCC Class A
- RoHS

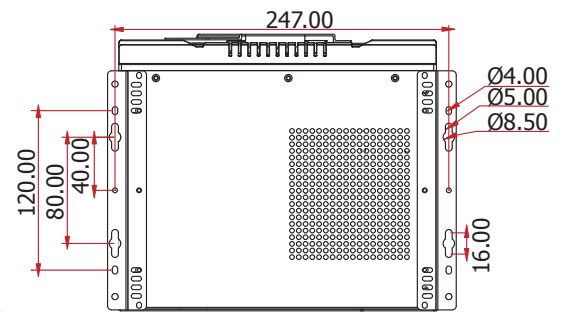
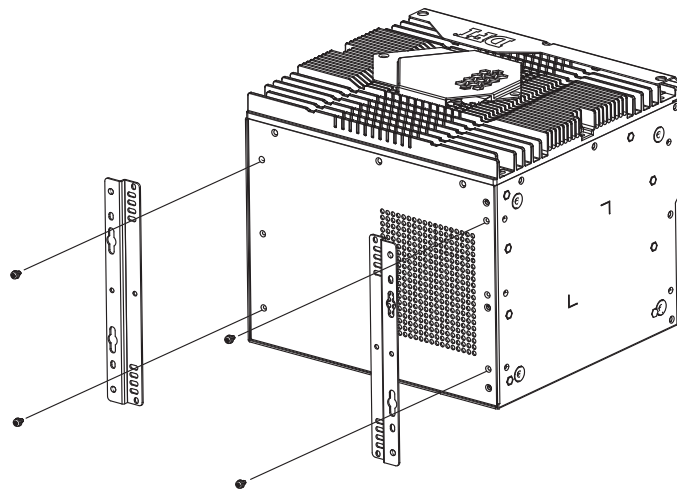
EC541-HD

▶ Wall Mounting

Type 1



Type 2



EC541-HD

► Ordering Information

Model Name	Part Number	Description
EC541-HD6860	750-EC5410-000G	With fan, i7/i5/i3, H81, 6 COM, 8-bit GPIO, 6 USB, RoHS
	750-EC5410-100G	Fanless, i7/i5/i3, H81, 6 COM, 8-bit GPIO, 6 USB, RoHS

► Optional Items

Optional Items	Part Number	Description
CPU	785-1150DL	CPU, LGA1150, Long-term support, RoHS
Memory	785-RL0D38G	SODIMM, DDR3/DDR3L, 8GB, RoHS
	785-RS0D34G	SODIMM, DDR3/DDR3L, 4GB, RoHS
	785-RS0D32G	SODIMM, DDR3/DDR3L, 2GB, RoHS
HDD	785-H25500G	2.5" SATA HDD, 500GB, RoHS
	785-H25320G	2.5" SATA HDD, 320GB, RoHS
	785-S25128G	2.5" SATA SSD, 128GB MLC, RoHS
	785-S25064G	2.5" SATA SSD, 64GB MLC, RoHS
	785-S25032G	2.5" SATA SSD, 32GB MLC, RoHS
mSATA	785-MS64GMF	mSATA Card, 64GB MLC, RoHS
	785-MS32GMF	mSATA Card, 32GB MLC, RoHS
	785-MS16GMF	mSATA Card, 16GB MLC, RoHS
	785-MS08GMF	mSATA Card, 8GB MLC, RoHS
	785-MS04GMF	mSATA Card, 4GB MLC, RoHS
Wi-Fi	761-110090-000G	Wi-Fi kit
Power Cord	785-PWRD	Power cord, Standards (USA/EUR/CH), 1.8m, RoHS
Power Adapter	671-112004-100G	120W, 19V/6.31A
Wall Mount	761-EC5410-000G	EC541 Wall Mount Kit, RoHS

► Packing List

• 1 EC541 system unit
• 1 Quick Installation Guide
• 1 CD disk includes:
- Drivers / Manual